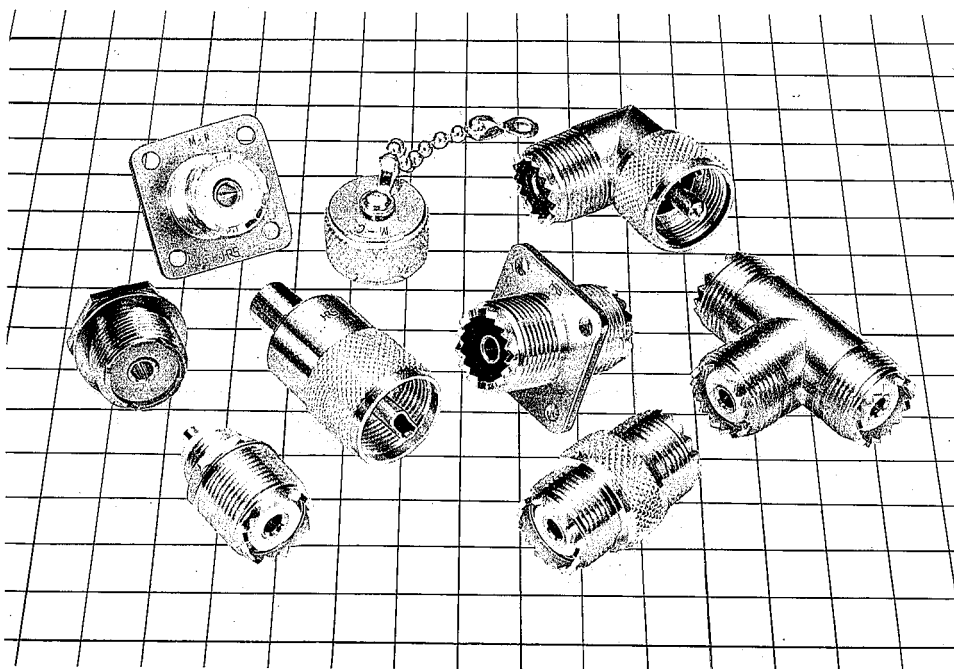


# M SERIES RF CO-AXIAL CONNECTORS

## Outline

M Series RF Co-axial Connectors are popular and low-cost coaxial connectors. Medium size, thread-coupling type items for thin and medium-size electrical cords are the most popular connectors having non-rated impedance. Having no weather-resistance capability, these connectors cannot be used in humid environment without suitable protection against moisture. Maximum rated voltage is 500 V (crest value). Without impedance matching, up to 200 MHz will be a reasonable service range. Recommended coaxial cables are 3C-2V, 5C-2V, and 7C-2V.



## Material and finish

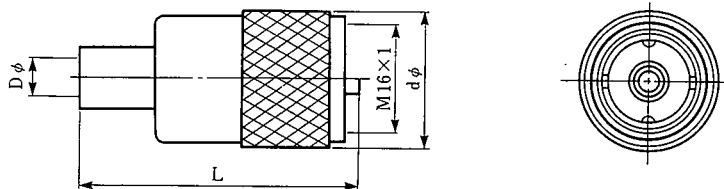
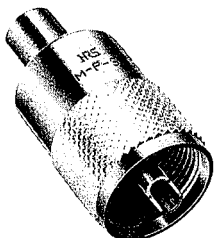
Part Name	Material	Finish
Exterior (shell)	Brass	Silver plating + surface treatment
Center contact (male)	Brass	Silver plating + surface treatment
Center contact (female)	Phosphor bronze	Silver plating + surface treatment
Insulator	Tetravalent fluoric resin, tetrafluoride resin	

## Performance

Item	Standard value
Contact resistance	3 mΩ and under at 1 A DC)
Insulation resistance	100 MΩ and above at 500 V DC
Withstand voltage	1 min. at 1000 V AC

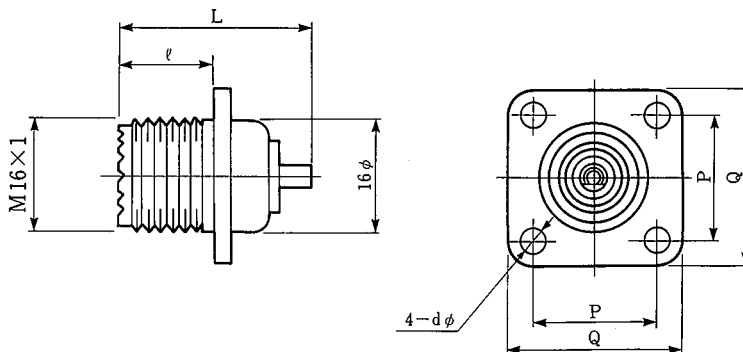
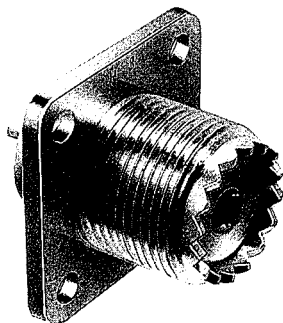
# M SERIES RF CO-AXIAL CONNECTORS

## Plug M-P

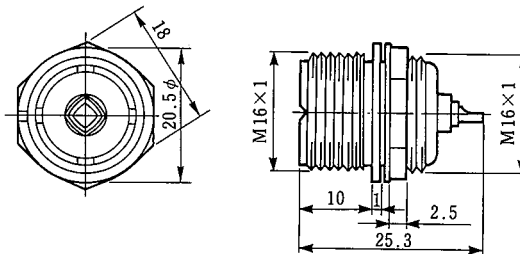
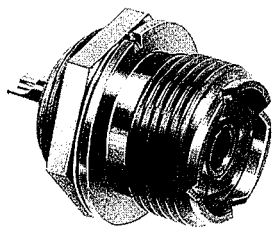


HRS No.	Part No.	Applicable cable	Dφ	L	dφ	Insulator
CL303-0041-1	M-P-3-1	3C-2V, 3D-2V RG-55, 58/U	7P=1 inner dia. 6.3	40	19	Tetrafluoride resin
CL303-0044-0	M-P-5-1	5C-2V, 5D-2V RG-5, 6/U	9P=1.25 inner dia. 8.2	40	19	Tetrafluoride resin
CL303-0042-4	M-P-7-1	7C-2V RG-8, 11/U	11P=1.25 inner dia. 10.2	40	19	Tetrafluoride resin
CL303-0043-7	M-P-10-1	10C-2V, 10D-2V RG-14, 15/U	14P=1.25 inner dia. 13.2	41	21	Tetrafluoride resin

## Receptacle M-R



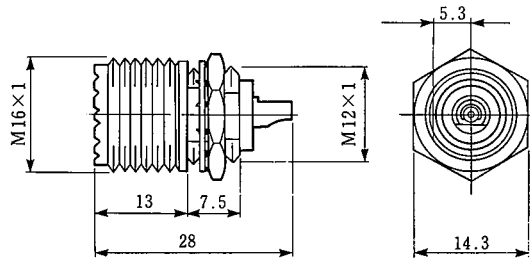
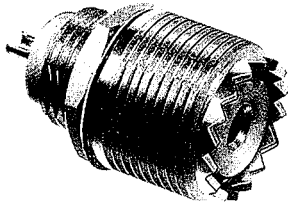
HRS No.	Part No.	P	Q	l	dφ	L	Insulator
CL303-0061-9	M-R-1	18	25	14	3.3	27.5	Tetrafluoride resin



HRS No.	Part No.	Insulator
CL303-0136-6	HM-R-8	Tetrafluoride resin

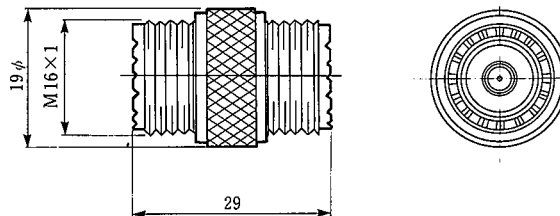
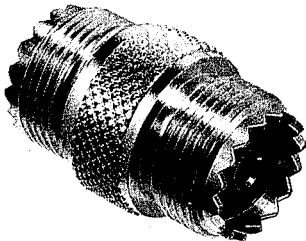
# M SERIES RF CO-AXIAL CONNECTORS

## Receptacle M-R



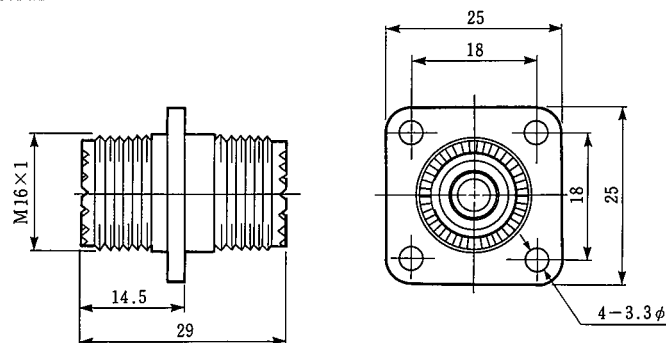
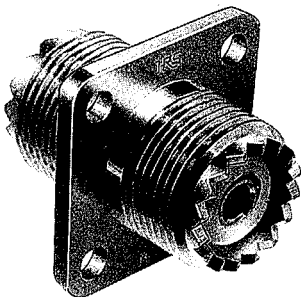
HRS No.	Part No.	Insulator
CL303-0094-8	M-R-12	Tetrafluoride resin

## Straight adapter M-A



HRS No.	Part No.	Insulator
CL303-0024-2(01)	M-A-JJ(01)	Tetrafluoride resin
CL303-0024-2(02)	M-A-JJ(02)	Phenolic resin

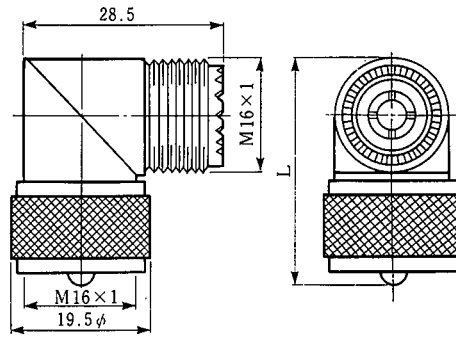
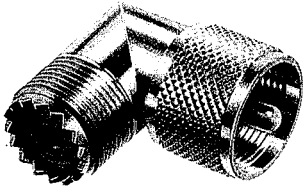
## Panel adapter M-PA



HRS No.	PartNo.	Insulator
CL303-0025-5(01)	M-PA-JJ(01)	Tetrafluoride resin
CL303-0025-5(02)	M-PA-JJ(02)	Phenolic resin

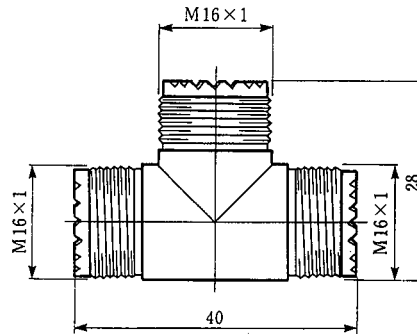
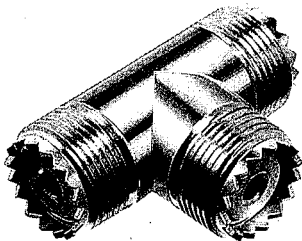
# M SERIES RF CO-AXIAL CONNECTORS

## L-type adapter



HRS No.	Part No.	L	Insulator
CL303-0027-0(01)	M-LA(01)	32	Phenolic resin

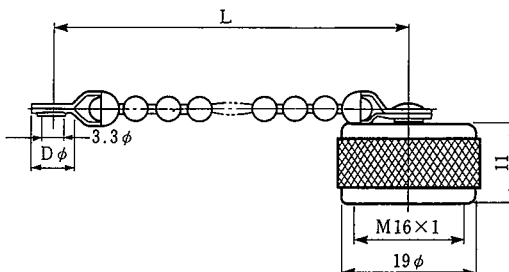
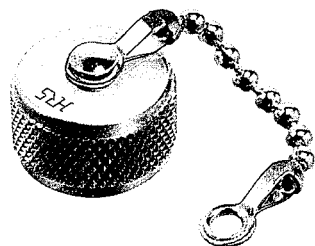
## T-type adapter



HRS No.	Part No.	Insulator
CL303-0007-3(01)	M-TA-JJJ(01)	Tetrafluoride resin

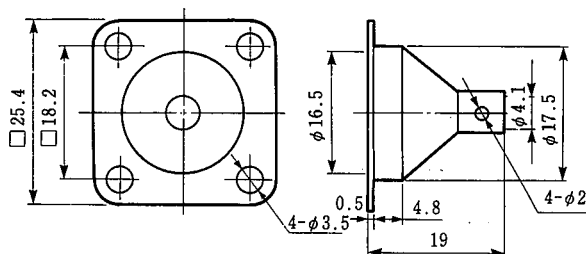
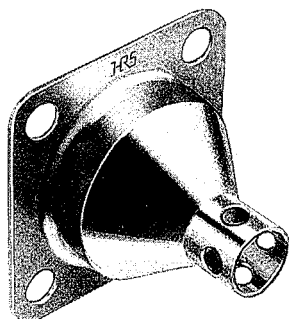
# M SERIES RF CO-AXIAL CONNECTORS

## Cap M-C



HRS No.	Part No.	Dφ	L
CL303-008-6	M-C	7	57

## Hood M-H



HRS No.	Part No.	Applicable cable
CL303-0011-0	M-H-3	3C-2V

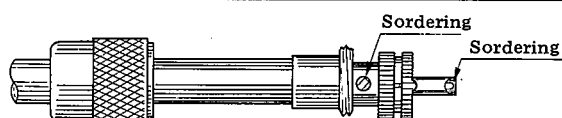
## Cable connecting method



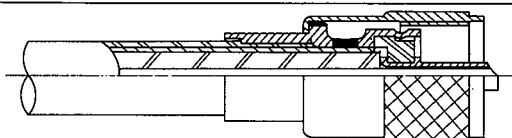
Remove PVC covering of cord over 28 mm to expose external braid conductor.



Expose center conductor over 17 mm with insulator exposed 2 mm as shown. Do not undo external braid conductor. Insert coupling over the cord.



Screw in the shell assembly over the cord until the shell assembly comes to a stop. Through the soldering hole of the shell, solder the external conductor and the shell. At the end of the male terminal, solder the center conductor and the terminal.



Pull the coupling back over the shell assembly.