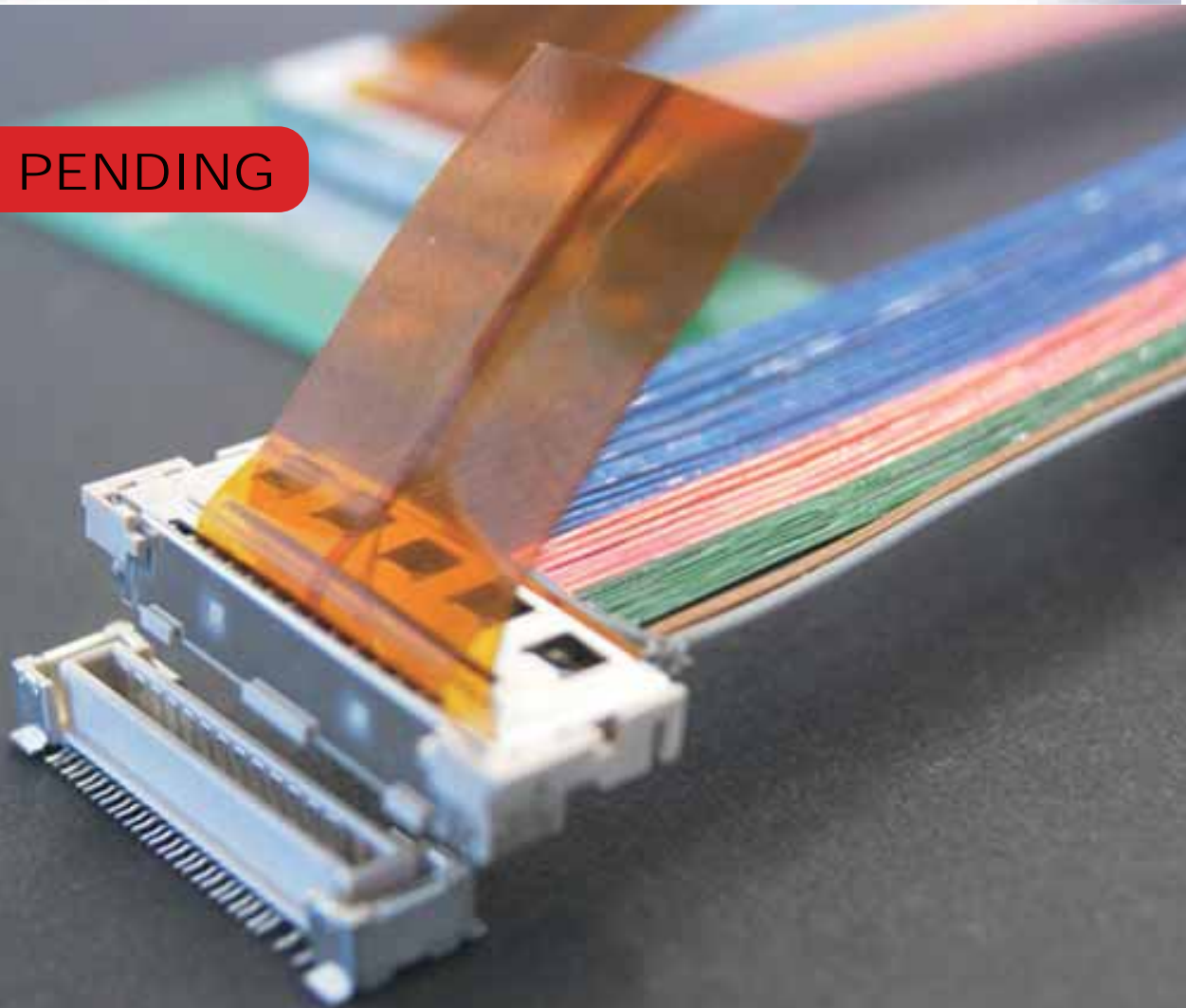


Low Profile R/A type Board to Cable connector (SGC and Discrete wire)

Height at mating with vertical receptacle
and Right Angle plug is 4.3mm

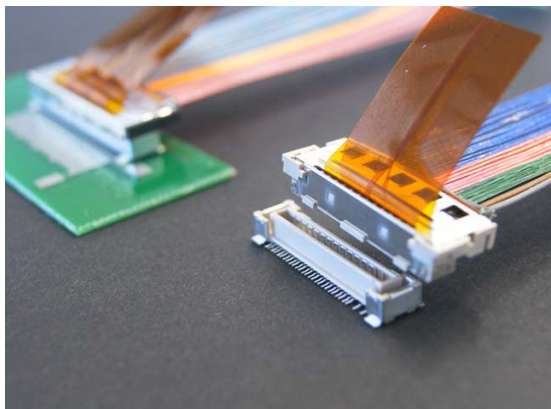
PATENT PENDING



FPL SERIES

Cable assembly by blanket soldering with different size cables for SGC and Discrete wire

FPL SERIES CONNECTOR



FPL connector for board to board by cable connection is designed for the wide range of cable size(AWG#28-#40) as compared with existing SGC connector and cable assembly by blanket soldering with different size cables for SGC and Discrete wire.

Further, FPL connector has a function to protect the flux overflow to the mated contact point by the special construction at soldering.

[Applications]

NOTEBOOK PC
Cell Phone/Digital Video Camera/Digital Camera
PDA/Mobile electronics device/Television set
Mobile Audio/Visual Devices

[Feature]

- >Mating point : 1.0mm pitch, Cable side/Board side: 0.5mm pitch, SMT type
- >FPL STD type 30P, 40P, 50P FPL H/B type 28P, 32P, 40P FPL-D 44P
- >Height at mating with vertical receptacle and Right Angle plug is 4.3mm.
- >Cable assembly by blanket soldering with different size cables for SGC and Discrete wire.
- >Overflow protection for the flux to the mated contact by the special construction.
- >EMI characteristic by metal shell and Impedance matching
- >The click sensation permits a check of sure mating

[Specifications]

- >Rated Current [AWG#40] 0.3A AC/DC -[AWG#28] 1.0A AC/DC
- >Rated Voltage 100V AC
- >Applicable Temp. Range -20 - +85
- >Withstand Voltage [FPL] AC 250V(rms)/min. [FPL-D] AC 100V(rms)/min.
- >Insulation Resistance [FPL] 500M-ohm MIN./DC500V [FPL-D] 100M-ohm MIN./DC100V

<Product Overview>

-	FPL STANDARD	FPL HYBRID	FPL-D
PLUG	20319-0**T-11	20321-0**T-11	20329-044T-01F
RECE	20323-0**E*1*	20324-0**E*1*	20330-044E-**F

FPL STANDARD type
(FOR AWG#32-#40 : SGC&DISCRETE)

<Ordering Code>

Plug Connector Set (for Cable)

20319-0* * T- 11
 ① ②

#Parts Ordering (HOUSING)

20320-0* * T- 11
 ① ②

30pos:140pcs/tray
 40,50pos:100pcs/tray

#Parts Ordering (SHELL)

1968-0 2**
 ①

①	NO. of pos.	30:30pos	40:40pos	50:50pos
②	Packaging	T: tray		

PLUG P/N	Housing P/N	Shell P/N	C/T for mating side	C/T for cable side	Shell	REMARK
20319-0**T-11	20320-0**T-11	1968-0**2	Au	Au	Sn-Cu	LEAD-FREE

Receptacle Connector (for PC Board)

20323-0* * E - 1 *
 ① ② ③ ④ ⑤

Packed in Embossed Tape : 1000pcs/reel

①	NO. of pos.	30	30pos	④	Finish	1	Contact for mating side	Au	
		40	40pos				Contact for cable side	Au	
		50	50pos				Holding down	Sn-Cu	
②	Packaging	E	Embossed Tape	⑤	BOSS	1	with		
③	DATE	=	NON				2	without	
CODE NO.	D		with						

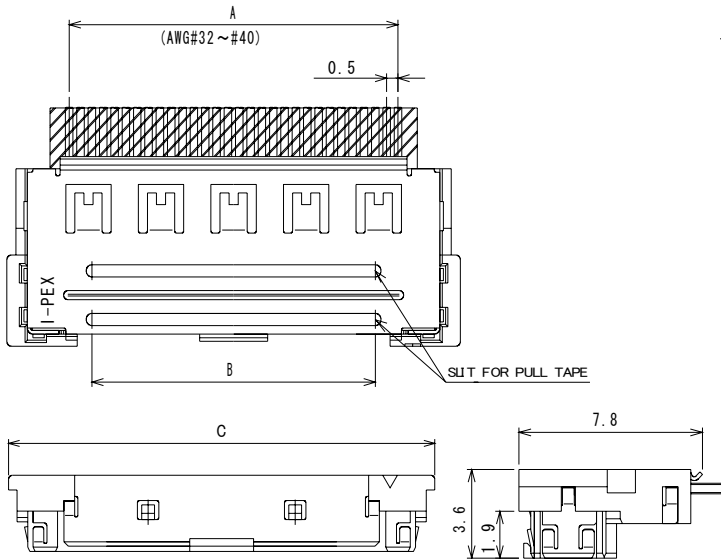
<Material>

Product	Parts	Material
PLUG	HOUSING	LCP(GLASS REINFORCED) UL94V-0
	CONTACT	COPPER ALLOY
	SHELL	COPPER ALLOY
RECEPTACLE	HOUSING	LCP(GLASS REINFORCED) UL94V-0
	CONTACT	COPPER ALLOY
	HOLDING DOWN	COPPER ALLOY

FPL STANDARD type

< PLUG >

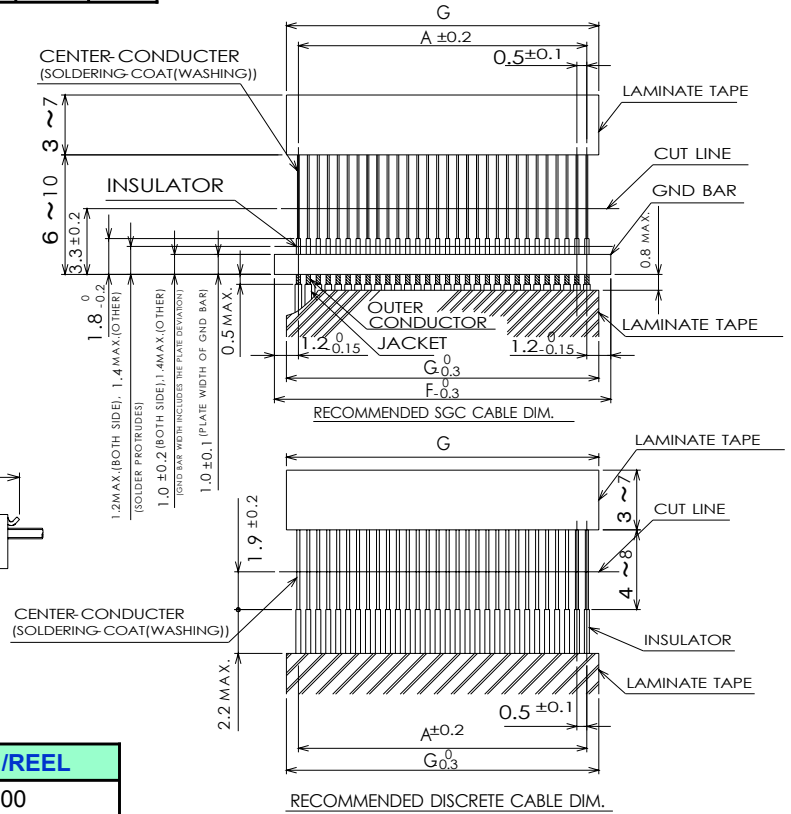
POS.	PART NO.	SHELL P/N	A	B	C	F	G
30P	20319-030T-11	1968-0302	14.5	12.5	20.0	16.9	15.7
40P	20319-040T-11	1968-0402	19.5	12.5	25.0	21.9	20.7
50P	20319-050T-11	1968-0502	24.5	19.5	30.0	26.9	25.7



Applicable Cable Size

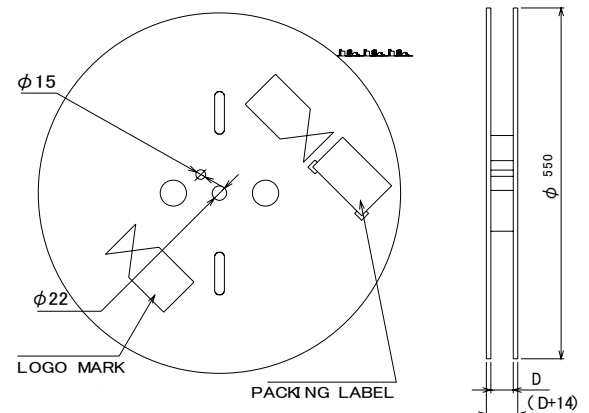
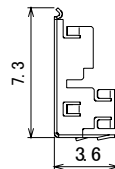
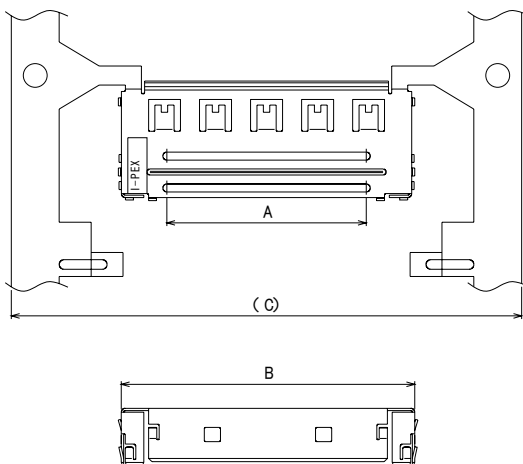
SGC	AWG#32~#40
TWINCOAX	AWG#40
DISCRETE	AWG#32~#36

#:Please contact us when you use wires other than those specified in the table



< SHELL >

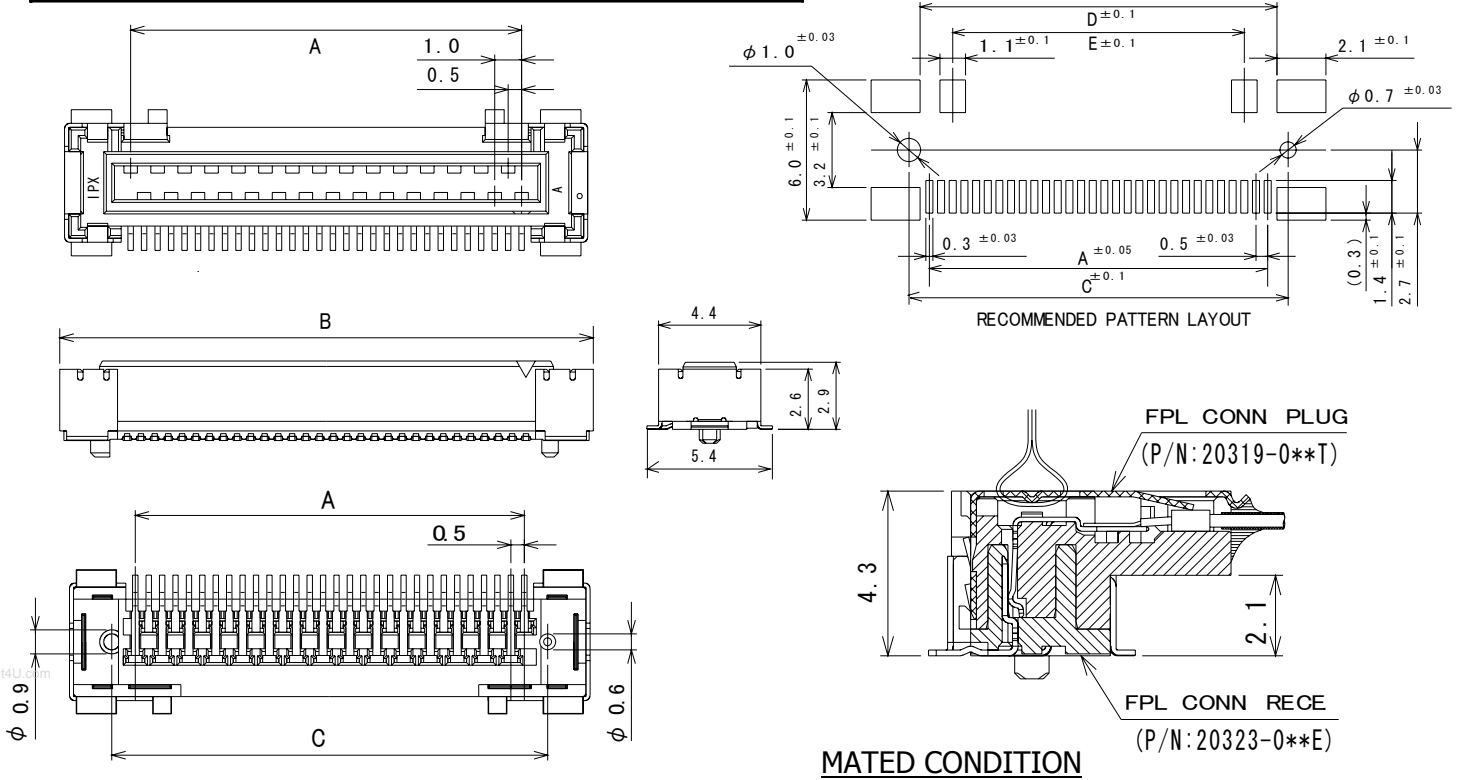
PART NO.	A	B	C	D	QTY. /REEL
1968-0302	12.5	13.2	32.0	35.0	3000
1968-0402	12.5	23.2	42.0	45.0	3000
1968-0502	19.5	28.2	42.0	45.0	3000



PACKING REEL

<RECEPTACLE>

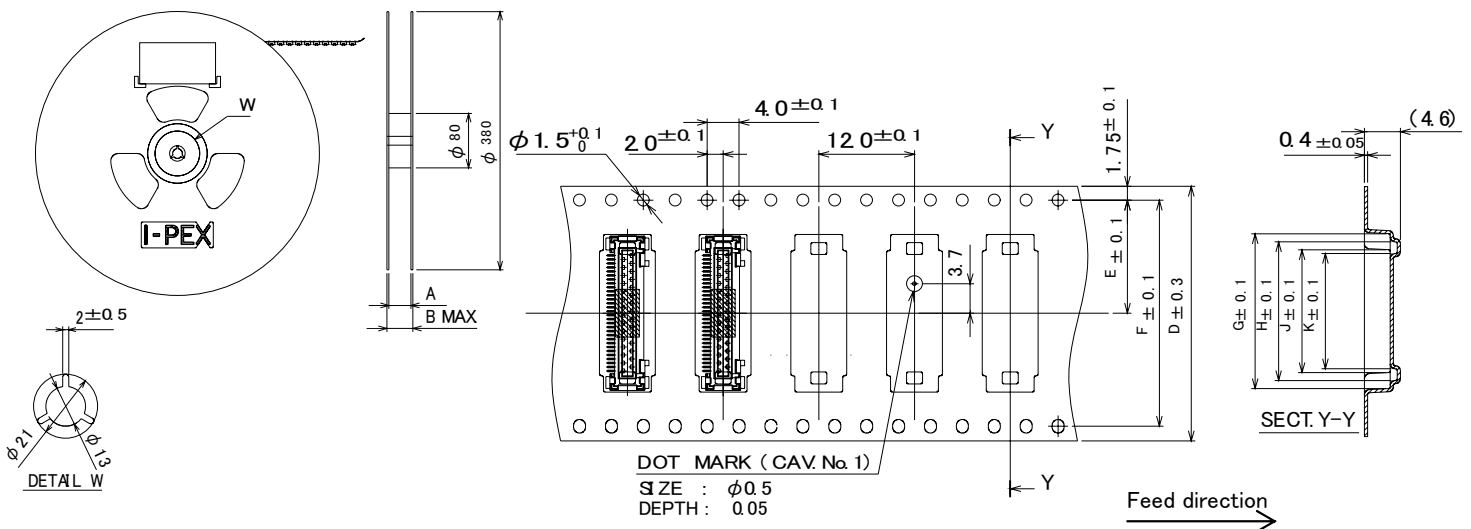
POS.	PART NO.	A	B	C	D	E
30p	20323-030E-1*	14.5	19.4	16.25	15.3	12.5
40p	20323-040E-1*	19.5	24.4	21.25	20.3	17.5
50p	20323-050E-1*	24.5	29.4	26.25	25.3	22.5



Packing style: Embossed tape packing (Compliance with JIS-C-0806)

1000pcs/1reel

PART NO.	DEVICE P/N	A	B	C	D	E	F	G	H	J	K
950257-030	20323-030E-***	32.4	38.4	26.0	32.0	14.2	28.4	19.8	17.75	15.7	14.75
950257-040	20323-040E-***	44.4	50.4	37.0	44.0	20.2	40.4	24.8	22.75	20.7	19.75
950257-050	20323-050E-***	44.4	50.4	37.0	44.0	20.2	40.4	29.8	27.75	25.7	24.75



FPL HYBRID type
(FOR AWG#28~#40 : SGC&DISCRETE)

<Ordering Code>

Plug Connector set (for Cable)

20321-0T-11**
 ① ②

◆Parts Ordering (HOUSING)

20322-0T-11**
 ① ②

28pos: 140pcs/tray
32·40pos: 100pcs/tray

◆Parts Ordering (SHELL)

1968-02**

30: for 20321-028T-11
40: for 20321-032T-11
50: for 20321-040T-11

①	NO. of pos.	28:28pos	32:32pos	40:40pos
②	Packaging	T: tray		

PLUG P/N	Housing P/N	Shell P/N	C/T for mating side	C/T for cable side	Shell	REMARK
20321-0**T-11	20322-0**T-11	1968-0**2	Au	Au	Sn-Cu	LEAD-FREE

www.DataSheet4U.com

Receptacle Connector (for PC Board)

20324-0E-1***
 ① ② ③ ④ ⑤

Packed in Embossed Tape: 1000pcs/reel

①	NO. of pos.	28	28pos	④	Finish	1	Contact for mating side	Au	
		32	32pos				Contact for cable side	Au	
		40	40pos				Holding down	Sn-Cu	
②	Packaging	E	Embossed Tape	⑤	BOSS	1	with		
③	DATE	-	NON				2	without	
	CODE NO.	D	with						

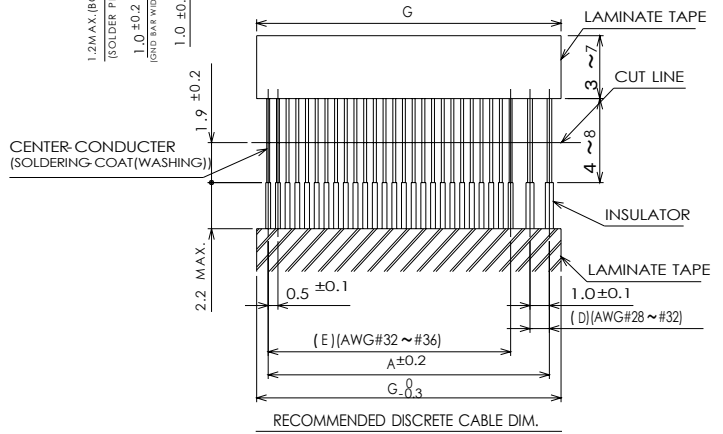
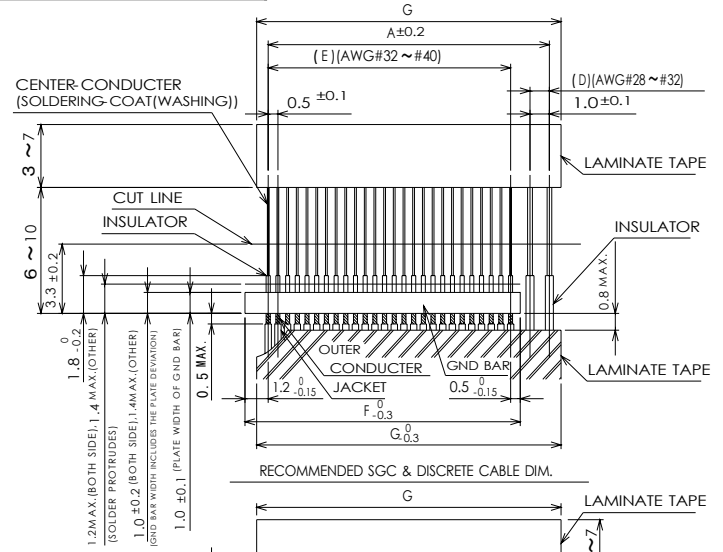
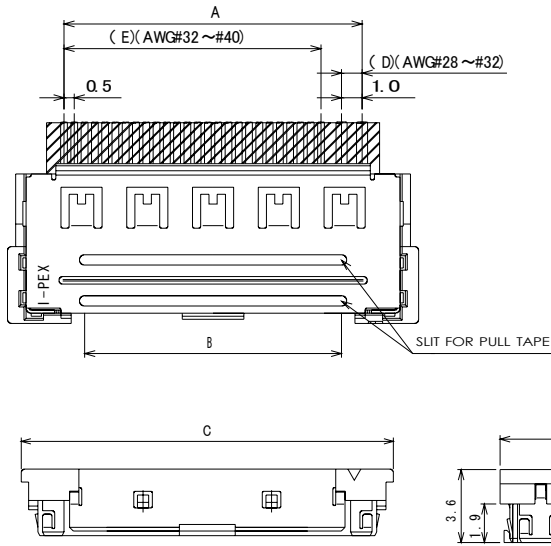
<Material>

Product	Parts	Material
PLUG	HOUSING	LCP (GLASS REINFORCED) UL94V-0
	CONTACT	COPPER ALLOY
	SHELL	COPPER ALLOY
RECEPTACLE	HOUSING	LCP (GLASS REINFORCED) UL94V-0
	CONTACT	COPPER ALLOY
	HOLDING DOWN	COPPER ALLOY

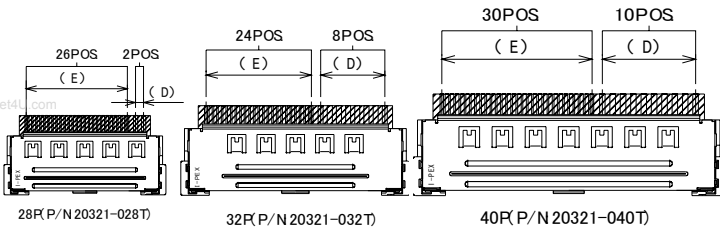
<PLUG>

FPL HYBRID type

POS.	PART NO.	SHELL P/N	A	B	C	D	E	F	G
28P	20321-028T-11	1968-0302	14.5	12.5	20.5	1.0	12.5	14.2	15.7
32P	20321-032T-11	1968-0402	19.5	12.5	25.0	7.0	11.5	13.2	20.7
40P	20321-040T-11	1968-0502	24.5	19.5	30.0	9.0	14.5	16.2	25.7



(D)	POWER LINE	SGC&Discrete	AWG#28~#32
(E)	SIGNAL LINE	SGC&Discrete	AWG#32~#40



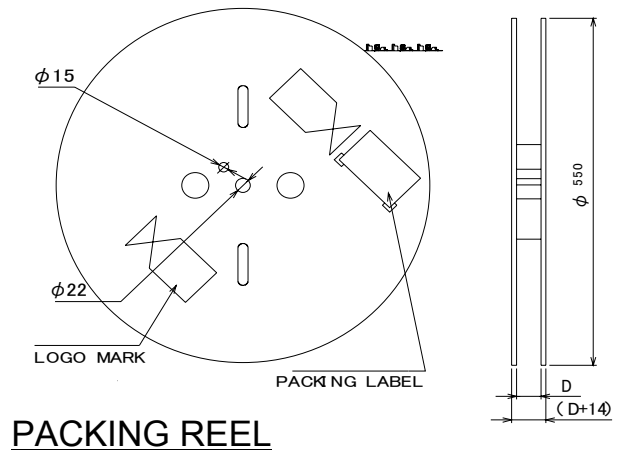
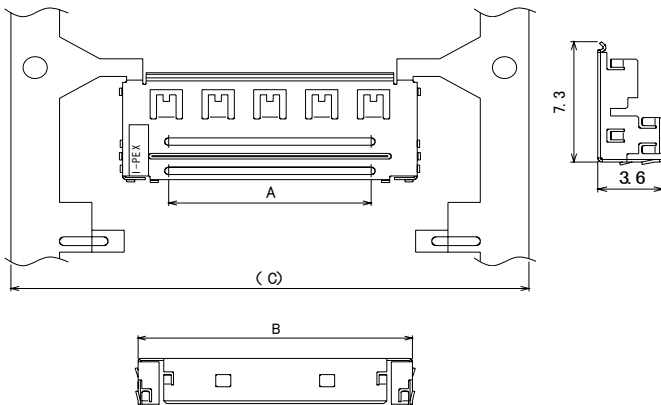
#:Please contact us when you use wires other than those specified in the table

<SHELL>

PART NO.	A	B	C	D	QTY. /REEL
1968-0302	12.5	13.2	32.0	35.0	3000
1968-0402	12.5	23.2	42.0	45.0	3000
1968-0502	19.5	28.2	42.0	45.0	3000

SGC	AWG#32~#40
TWINCOAX	AWG#40
DISCRETE	AWG#28~#36

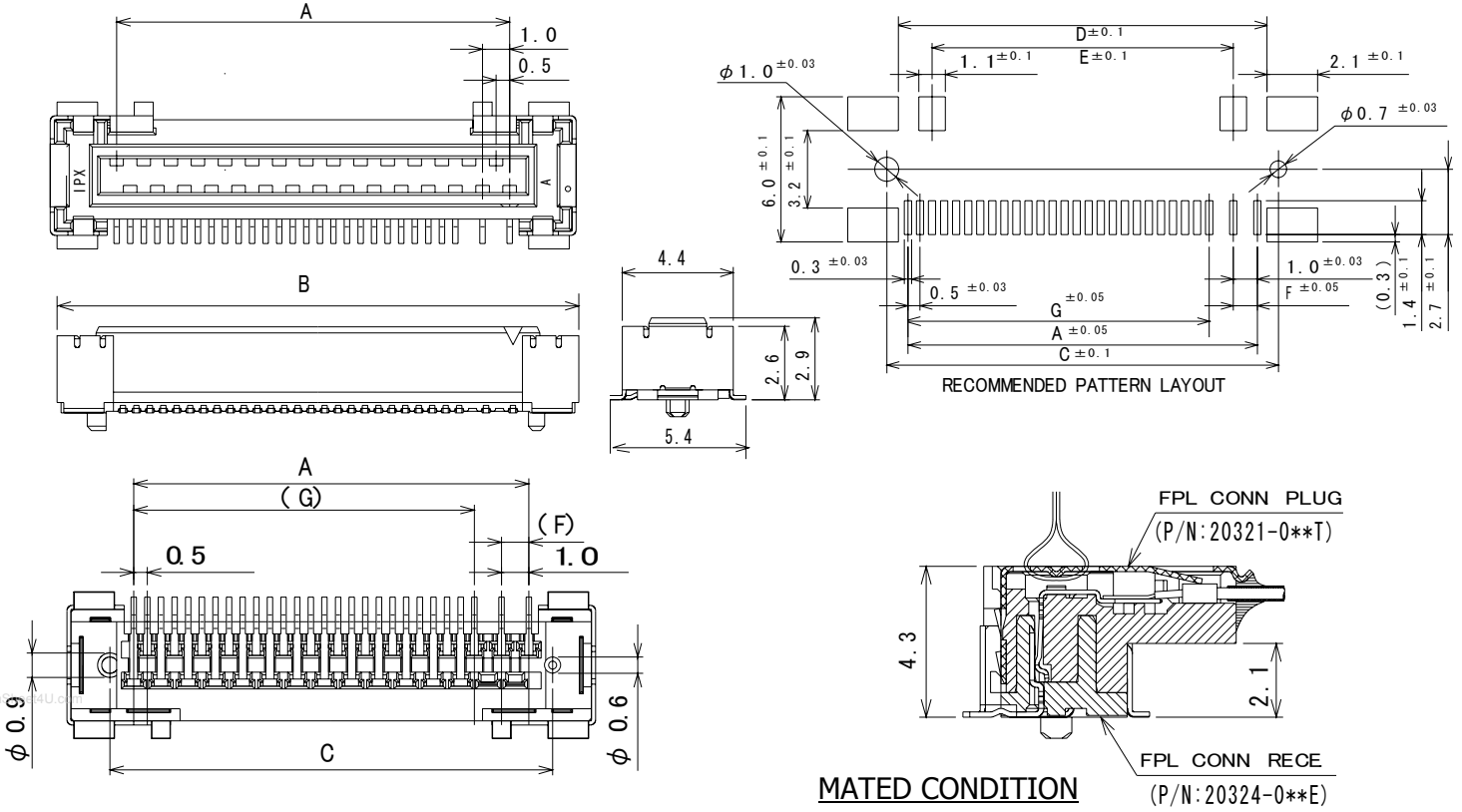
Applicable Cable Size



FPL HYBRID type

<RECEPTACLE>

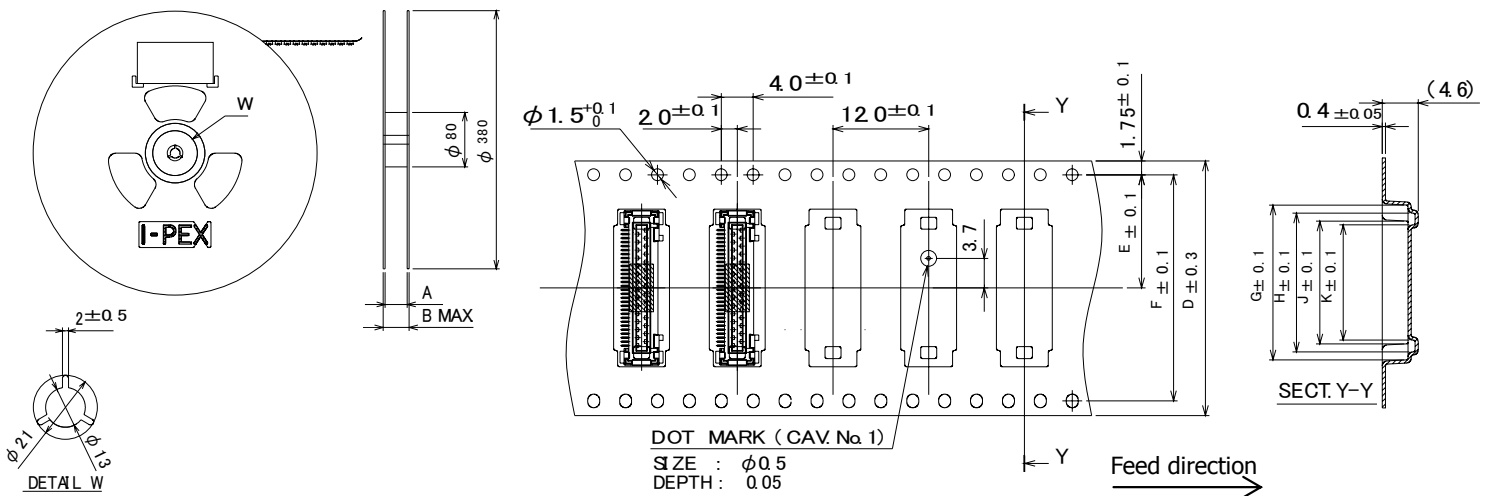
POS.	PART NO.	A	B	C	D	E	F	G
28p	20324-028E-1*	14.5	19.4	16.25	15.3	12.5	1.0	12.5
32p	20324-032E-1*	19.5	24.4	21.25	20.3	17.5	7.0	11.5
40p	20324-040E-1*	24.5	29.4	26.25	25.3	22.5	9.0	14.5



Packing style: Embossed tape packing (Compliance with JIS-C-0806)

1000pcs/1reel

PART NO.	DEVICE P/N	A	B	C	D	E	F	G	H	J	K
950257-030	20324-028E-***	32.4	38.4	26.0	32.0	14.2	28.4	19.8	17.75	15.7	14.75
950257-040	20324-032E-***	44.4	50.4	37.0	44.0	20.2	40.4	24.8	22.75	20.7	19.75
950257-050	20324-040E-***	44.4	50.4	37.0	44.0	20.2	40.4	29.8	27.75	25.7	24.75



<Ordering Code>

Plug Connector Set (for Cable)

20329-044 T-01F
 ① ② ③

◆Parts Ordering (HOUSING)

20336-044 T-01F
 ① ② ③

100pcs/tray

①	NO. of pos.	44	44pos	
②	Packaging	T	Tray	
③	Finish	F	Contact for mating side	Au
			Contact for cable side	Au
			SHELL	Sn

◆Parts Ordering (SHELL)

2004-044 * F
 ①

3000pcs/ 1 reel

NOTCH 1: WITH
 2: WITHOUT

PLUG P/N	Housing P/N	Shell P/N	C/T for mating side	C/T for cable side	Shell	REMARK
20329-044T-01F	20336-044T-01F	2004-044*F	Au	Au	Sn	LEAD-FREE

Receptacle Connector (for PC Board)

Packed in Embossed : 1000pcs/reel

20330-044 E-* * F
 ① ② ③ ④ ⑤

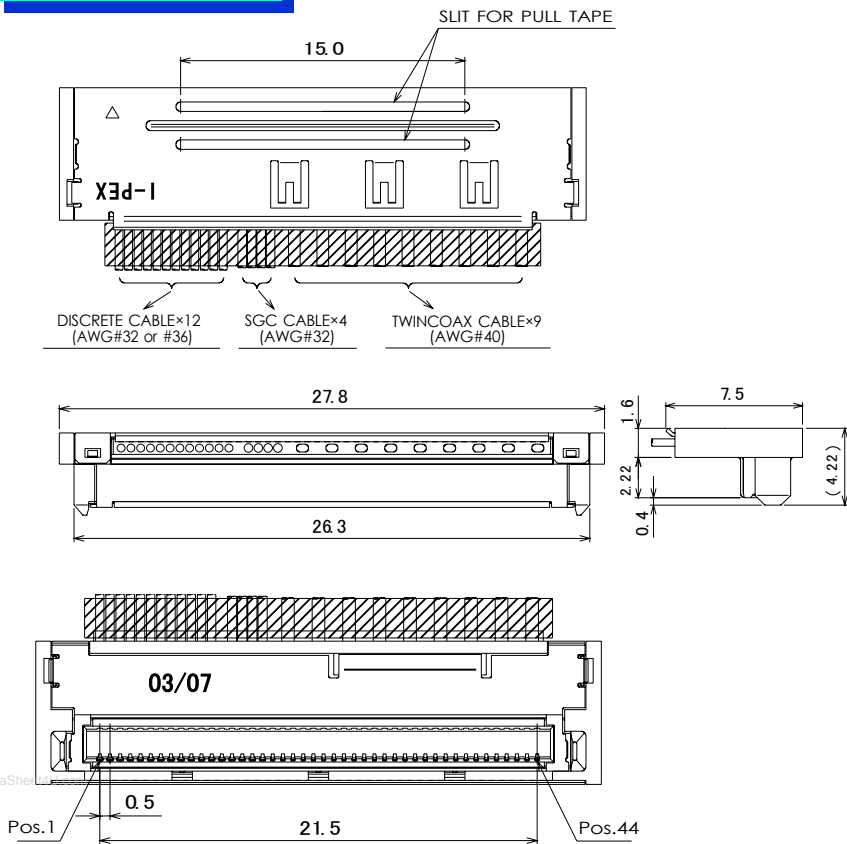
①	NO. of pos.	44	44pos	④	BOSS	1	WITH	
②	Packaging	E	Emboss Tape			2	WITHOUT	
③	type	1	LL	⑤	Finish	F	Contact for mating side	Au
		2	L				Contact for cable side	Au
		3	S				Shell	Sn

<Material>

Product	Parts	Material
PLUG	HOUSING	LCP (GLASS REINFORCED) UL94V-0
	CONTACT	COPPER ALLOY
	SHELL A	COPPER ALLOY
	SHELL B	COPPER ALLOY
RECEPTACLE	HOUSING	LCP (GLASS REINFORCED) UL94V-0
	CONTACT	COPPER ALLOY
	SHELL	COPPER ALLOY

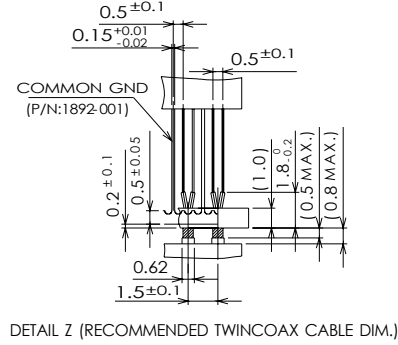
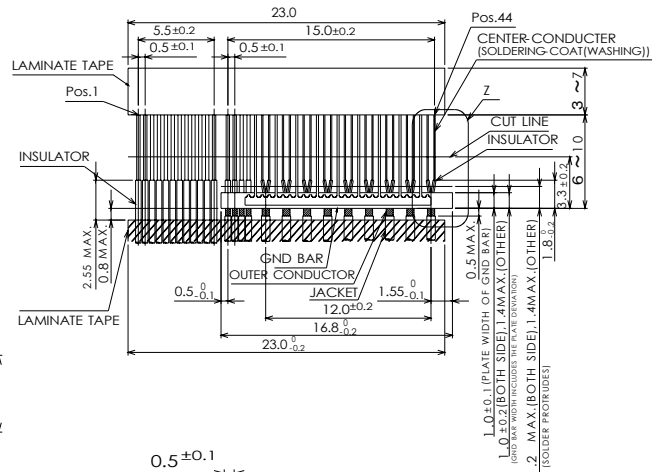
FPL-D type

< PLUG >



Applicable Cable Size

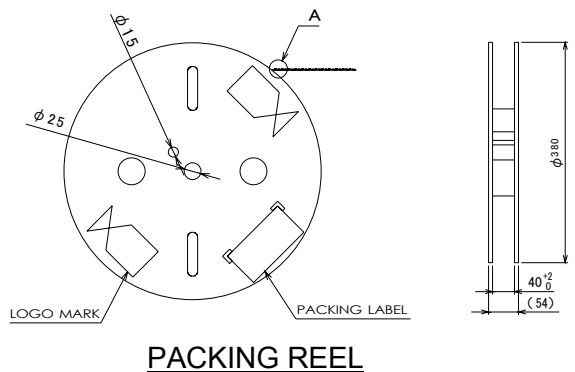
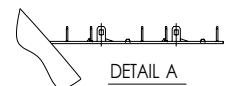
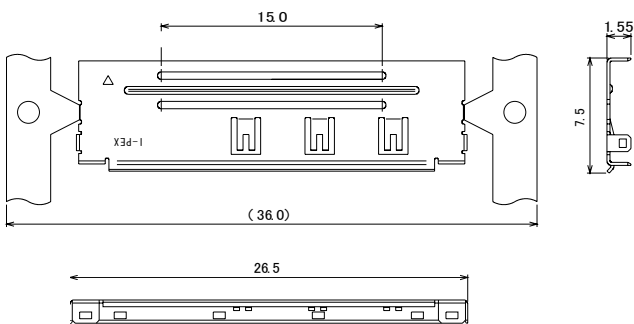
POS.	CABLE type
1~12	Discrete cable x 12 (AWG#32 or #36)
14~17	SGC cable x 4 (AWG#32)
18~44	TWINCOAX cable x 9 (AWG#40)



< SHELL >

PART NO.	QTY. /REEL
2004-044#F	3000

- #: 1 WITH NOTCH
- 2 WITHOUT NOTCH



< RECEPTACLE >

Please inquire of our Sales Dev. About Receptacle Connector (P/N: 20330-044E-**F).



FPL SERIES CONNECTORS

www.DataSheet4U.com

I-PEX Co.,Ltd.

Head Office	6-27-19 HARAMACHIDA, MACHIDA-City, TOKYO,JAPAN 194-0013 TEL 042-729-1670 FAX 042-729-1671	Shanghai	21F., Room2181-2182, Hong Qiao Shanghai City Tower B. No.100 Zun Yi Road, Chang Ning District Zone, Shanghai 200051, China TEL 86-21-5208-1611 FAX 86-21-5208-1612
Osaka	5F Chiyoda Budg, Nishi-Kan 2-5-4 UMEDA, KITA-KU, OSAKA-City, OSAKA, JAPAN 530-0001 TEL 06-6346-2022 FAX 06-6346-2023	KOREA	Room426, Budang Trapalace 10-1, Sunae-dong Bundang-gu, Seongnam-si gyeonggi-do, 463-854 Korea TEL 82-31-719-6501 FAX 82-31-716-3801
TAIWAN	15F-6, No.700, Jung Jeng Rd., Jung He City, Taipei 235 Taiwan. TEL 886-2-8227-9288 FAX 886-2-8227-8665	Hong Kong	Unit 18, 8/F, Bank of America Tower, 12 Harcourt Road, Admiralty, Hong Kong TEL 852-2735-8077 FAX 852-2735-8099
Singapore	80 Robinson Road #22-02 Singapore 068898 TEL 65-6333-0662 FAX 65-6333-0663	USA	2305 Donley Drive, Suite110, Austin, Texas 78758 USA TEL +1-512-339-IPEX(4739) FAX +1-512-339-4745

<http://www.i-pex.com>

Product design and specification is subject to change for improvement without notice in advance. Please inquire to I-PEX representative for your confirmation.